

HORIZONTAL CHEESE PRESS

CUSTOMIZABLE &
EASY TO OPERATE

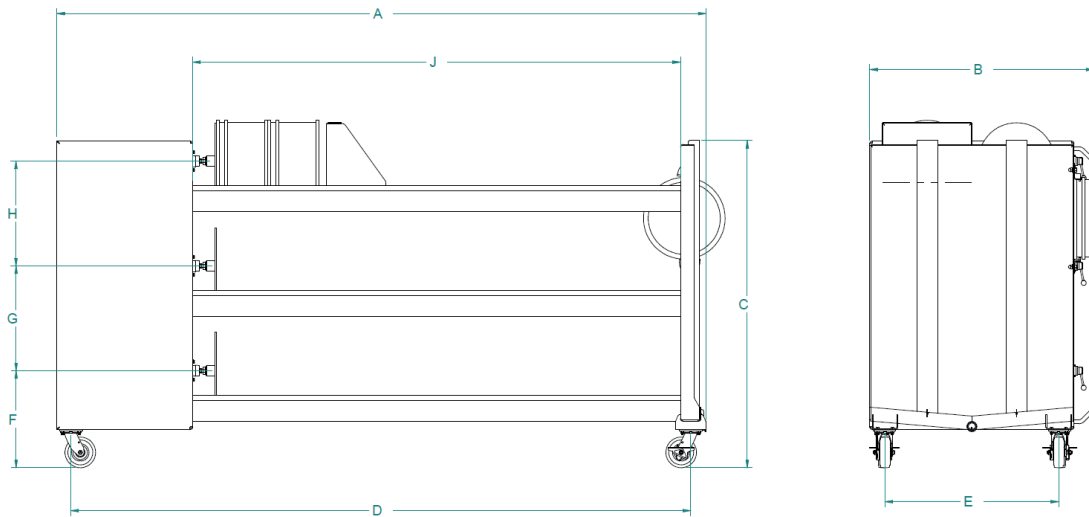
Our horizontal cheese press is customizable according to your needs. It has 1 to 24 pneumatic powered cylinders and with its adjustable pressure by zones, it makes it easy to use for you.

- **Sanitary construction in stainless steel 304**
- **Adjustable pressure regulator to modulate force**
- **Independent control for each cylinder**
- **Recovery panel under each pressing row**
- **A removable wall to limit the pressing stroke**

**24/7
EMERGENCY
SERVICE
1.888.339.3801**

**INFO@QUALTECHGROUP.COM
QUALTECHGROUP.COM**

SPECIFICATIONS:



MODEL	CAPACITY [piles]	A [in]	B [in]	C [in]	D [in]	E [in]	F [in]	G [in]	H [in]	J [in]
PFH-03	3	149-1/16	1932-07-08	63-29/32	143-5/16	23	19-15/32	19	19	TBD
PFH-06	6	149-1/16	1952-03-08	63-29/32	143-5/16	1942-01-02	19-15/32	19	19	TBD

PFH	Available Configurations	3	6	XX		Ⓐ
	Number of cylinders	3	6	Autre		
Pressing length	Dimensions inches	To be determined				Ⓑ
Protective cover for cylinders	none	●	●	●	0	Ⓒ
	Cover	○	○	○	1	
Base / Mounting	Mounted on wheels	●	●	●	R	Ⓓ
	Other : to specify				AUT	
Number of pneumatic control valves	1 per cylinders	●	●	●	1C	Ⓔ
	1 global for all cylinders	○	○	○	1G	
Mold type	Roud module 6" to 12"	●	●	●	R	Ⓕ
	Rectangular module of 20 to 40 lbs	○	○	○	20	
	Other : to specify				AUT	
Material in contact with the product	AISI 304	●	●	●	4	Ⓖ
	AISI 316	○	○	○	6	

¹ ● : by default on the base model

○ : available as an option

² If an "Other" option is selected, the price and delivery times may vary

³ See reference layout for Qualtech rectangular molds 20 lbs and 40 lbs