



CLF – FRONT LOAD CABINET WASHER

Efficient, flexible & safe, able
to adapt to all your needs.

Description:

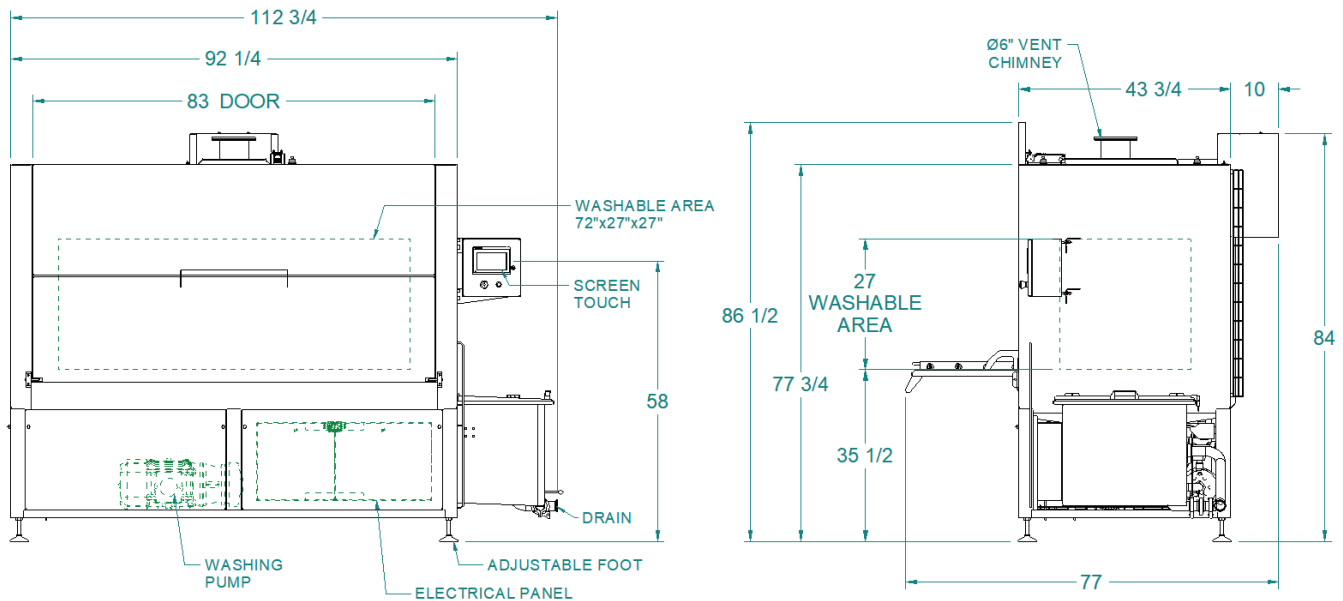
This compact front load washer has been developed to meet the washing needs of small and medium-sized agrifood companies. This highly flexible equipment can wash a wide range of components and tools. Filtration of wash water extends the life of both hot water and detergent resulting in substantial savings.

- ◆ Sanitary construction in 304 or 316 stainless steel
- ◆ Filtration of wash water extends the life of both hot water and detergent resulting in substantial savings
- ◆ Sliding wire basket or rack for easy front loading
- ◆ Removable wash rack system
- ◆ Recycling and filtering of wash and rinse waters that are managed with conductivity analysis
- ◆ Water level and temperature control
- ◆ Spray headers cover the entire wash area
- ◆ Ability to wash various components
- ◆ Safety lock system on door and lid to protect the operator
- ◆ Self-cleaning option available

**24/7
Emergency
Service**

1.888.339.3801
info@qualtechgroup.com

Specifications:



CLF02	Configuration choice	0362727	0722727	Code	(A)
Washable area (in inch - width x height x depth)		36x27x27	72x27x27		
Washing cycle¹	Wash / Rinse	<input type="checkbox"/>	<input type="checkbox"/>	2	(B)
	Pre-wash / Wash / Rinse	<input checked="" type="checkbox"/>	<input checked="" type="checkbox"/>	3	
	Pre-wash / Wash / Rinse / Sanitation	<input type="checkbox"/>	<input type="checkbox"/>	4	
Heating	Tubular heat exchanger - Water ²	<input checked="" type="checkbox"/>	<input checked="" type="checkbox"/>	1	(C)
	Tubular heat exchanger - Steam ²	<input type="checkbox"/>	<input type="checkbox"/>	2	
	Electrical element	<input type="checkbox"/>	<input type="checkbox"/>	3	
Electrical supply	240V / 3ph / 60Hz	<input type="checkbox"/>	<input type="checkbox"/>	23	(D)
	460V / 3ph / 60Hz	<input type="checkbox"/>	<input type="checkbox"/>	43	
	575V / 3ph / 60Hz	<input type="checkbox"/>	<input type="checkbox"/>	53	
Material	AISI 304	<input checked="" type="checkbox"/>	<input checked="" type="checkbox"/>	4	(E)
	AISI 316	<input type="checkbox"/>	<input type="checkbox"/>	6	

1-Washing cycle: Dosing pump(s) included

2-Heating with exchanger: Valve at the system inlet included

● : Default

□ : Option

CLF02 - (A) 0722727 - (B) (C) 31 - (D) 43 - (E) 4

ex: CLF02-0722727-31-43-4